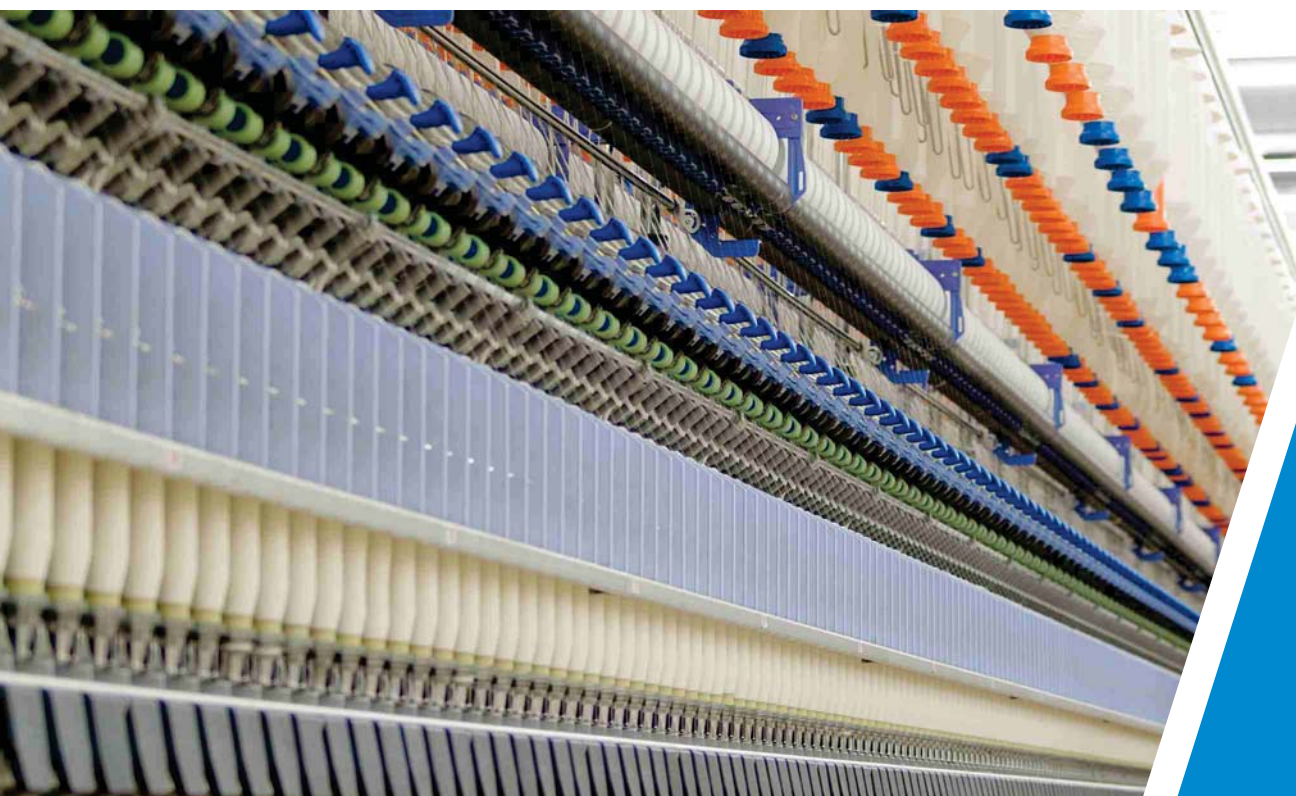
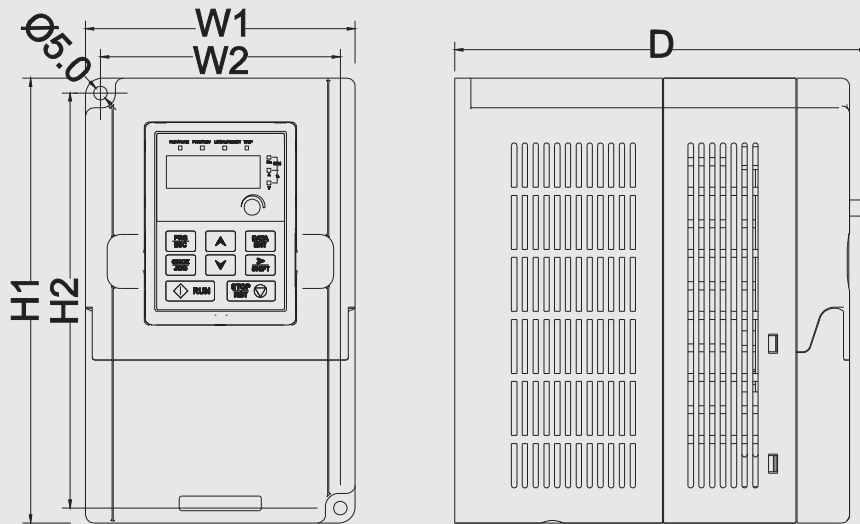


Goodrive10 inverters



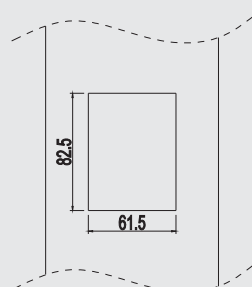
Installation dimension

1. Inverter dimensions

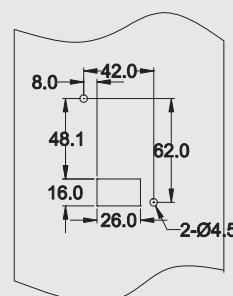


Model		W1 (mm)	W2 (mm)	H1 (mm)	H2 (mm)	D (mm)	
Single-phase 220V	GD10-0R2G-S2-B	85	75	140	132	134.2	
	GD10-0R4G-S2-B						
	GD10-0R7G-S2-B	85	75	140	132		153.2
	GD10-1R5G-S2-B	100	89	165	154	153.2	
	GD10-2R2G-S2-B						
Three-phase 220V	GD10-0R2G-2-B	85	75	140	132	134.2	
	GD10-0R4G-2-B						
	GD10-0R7G-2-B	85	75	140	132		153.2
	GD10-1R5G-2-B	100	89	165	154		153.2
GD10-2R2G-2-B							
Three-phase 380V	GD10-0R7G-4-B	100	89	165	154	153.2	

2. External keypad installation



Installation bracket



Installation of keypad screw

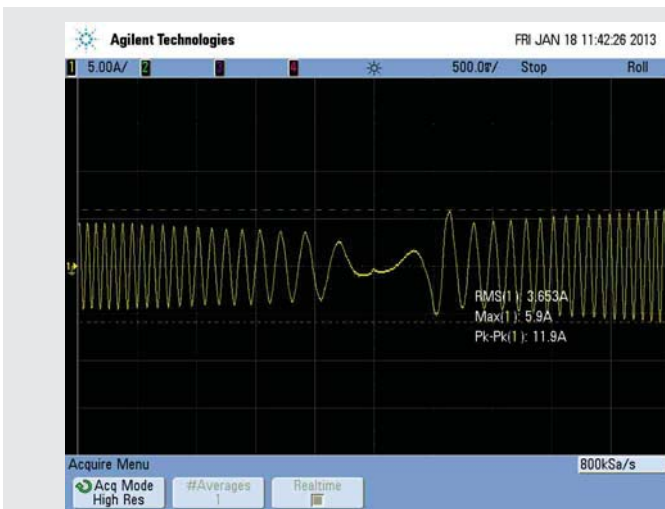
(unit: mm)

Brief introduction of Goodrive10 inverters

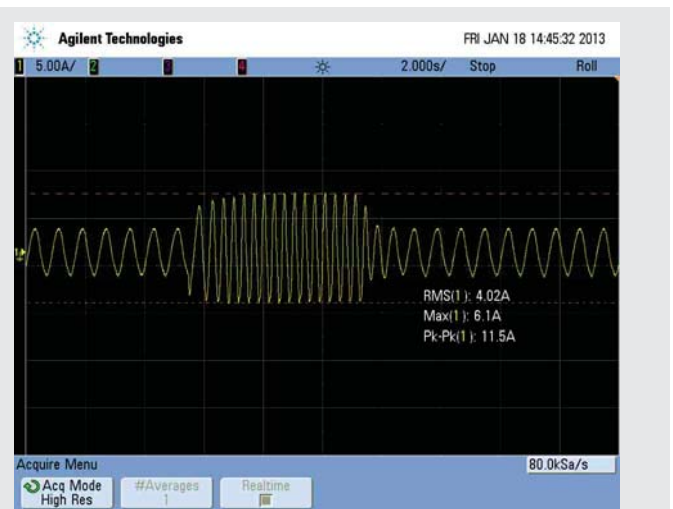
Goodrive10 Series mini-economy inverters are designed for the small-power OEM application market. With The function of vectorization V/f control and PID function, multi- step speed, DC braking and Modbus communication and so on, the inverter has more advantages but occupied less installation space.

Advantages

1. V/f control

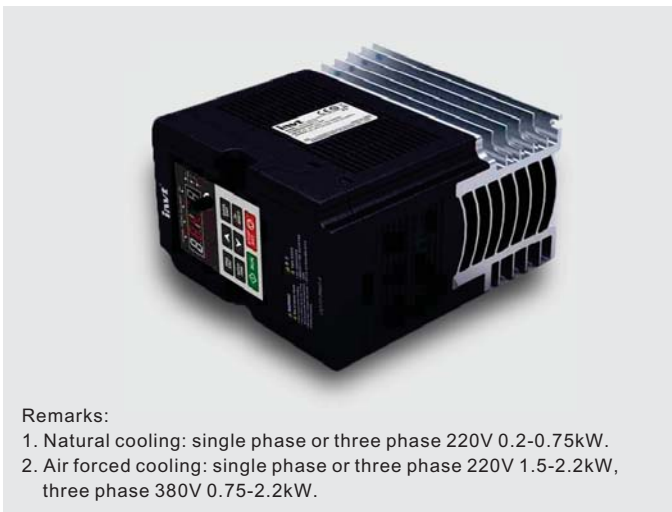


FWD/REV current waveform with full load at 50Hz



Current waveform in sudden acceleration/deceleration at 0.5Hz

2. Natural cooling(for the applications with cotton and dust)



Remarks:

1. Natural cooling: single phase or three phase 220V 0.2-0.75kW.
2. Air forced cooling: single phase or three phase 220V 1.5-2.2kW, three phase 380V 0.75-2.2kW.

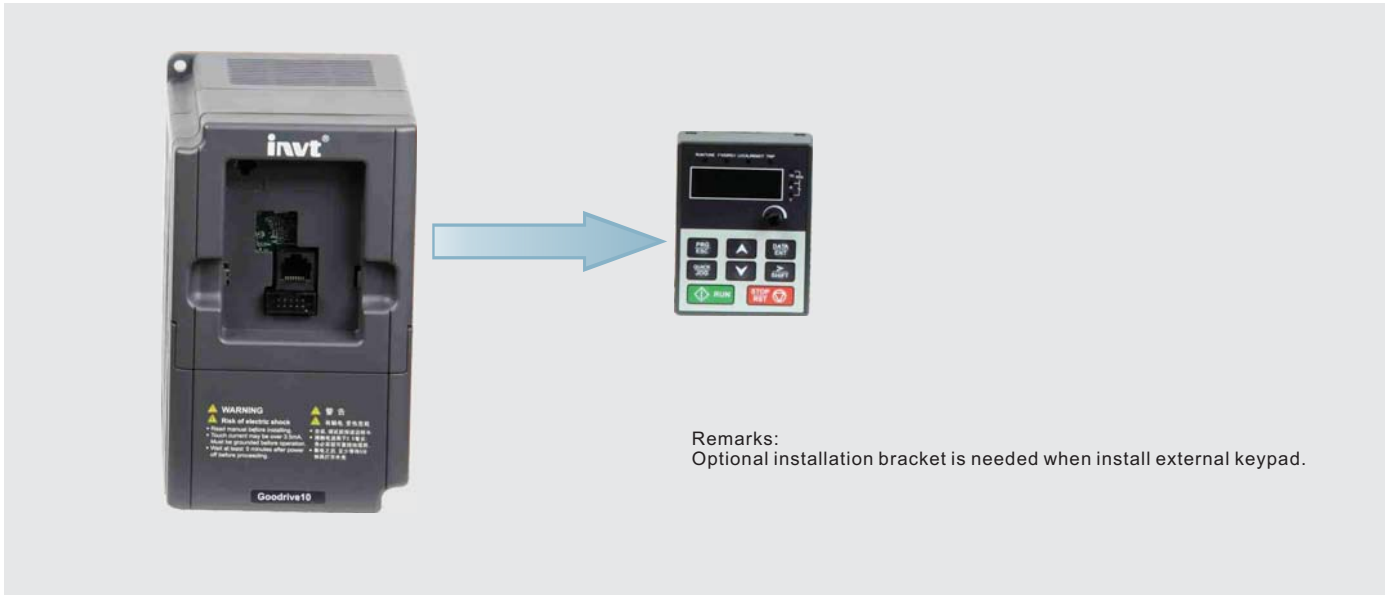
3. Mini structure, less installation space)



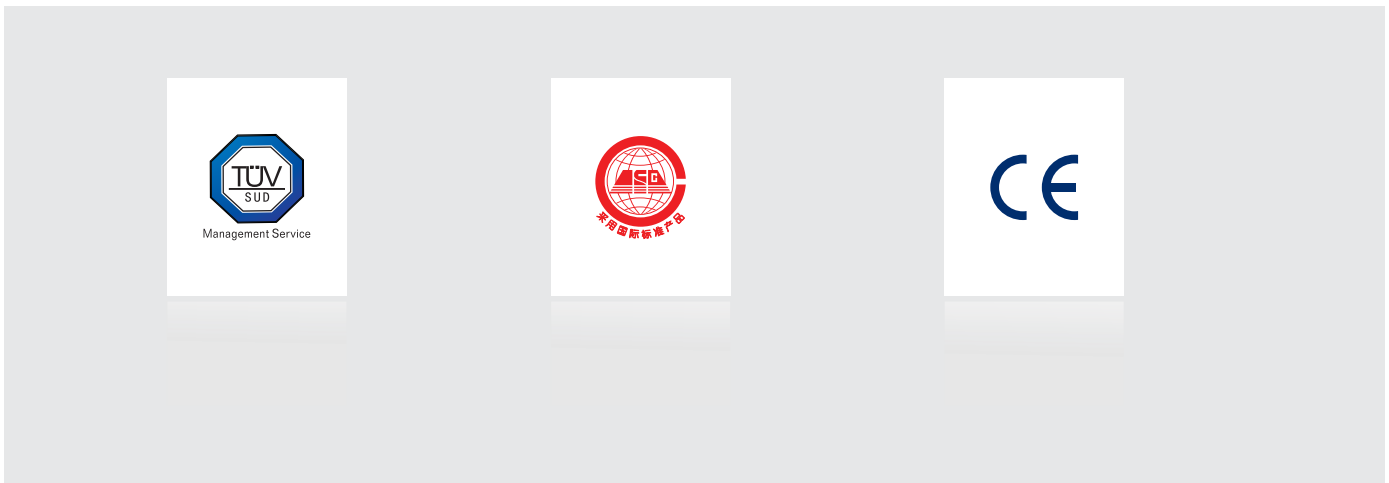
GD100-2R2-4

GD10-2R2-4

4. Standard potentiometer and external LED keypad



5. Follow IEC GB standards, and meet the testing requirements of CE certification



6. Various function setting

- (1) Standard Modbus communication
- (2) Built-in PID
- (3) 16 steps multi-step speed control
- (4) Flexible V/f curve setting
- (5) Multi-function I/O terminal (the delay time can be set)
- (6) Fault protection at overcurrent, overvoltage, undervoltage, overtemperature and overload with detailed fault information
- (7) DC braking, flux braking and resistor dynamic braking
- (8) Overcurrent and overvoltage stall, stronger load adaptability

Technical specifications

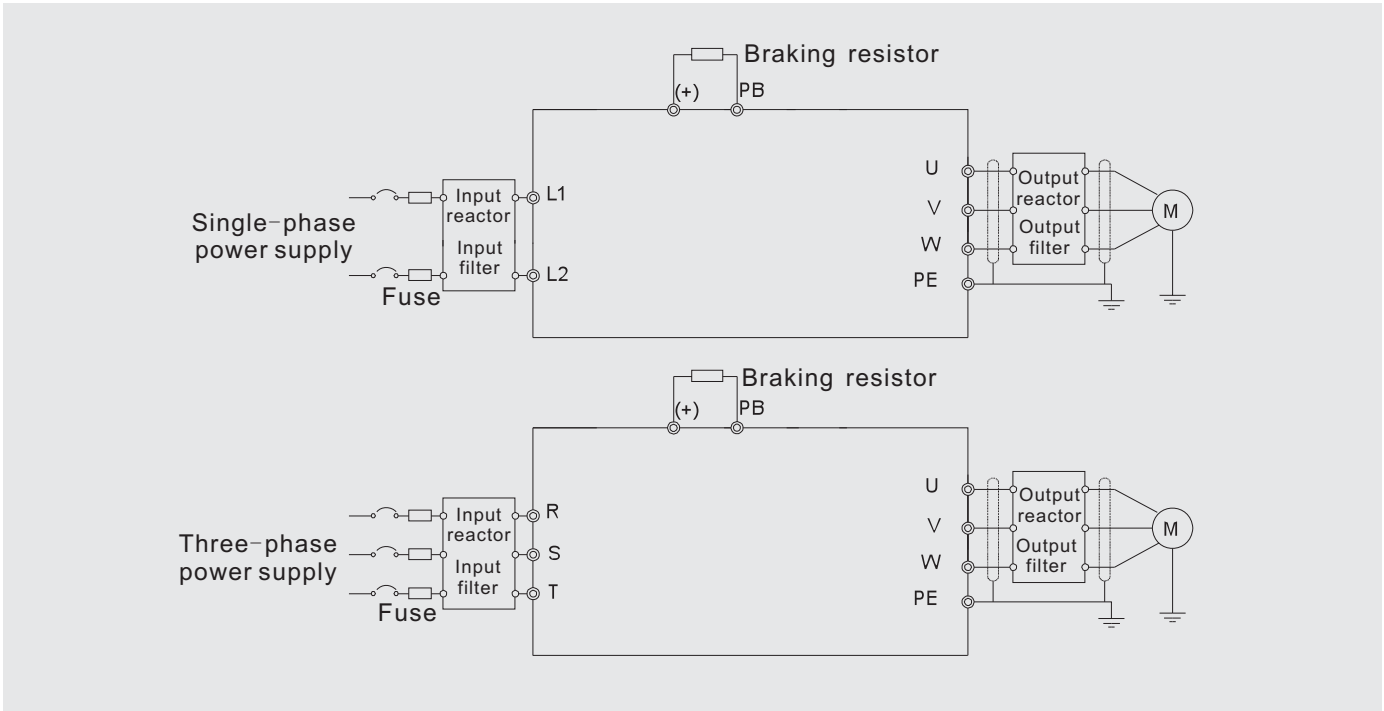
Function	Specification
Input voltage (V)	Single phase 220(-15%)~240(+10%) Three phase 220(-15%)~240(+10%) Three phase 380(-15%)~440(+10%)
Input frequency (Hz)	50Hz or 60Hz Allowed range: 47~63Hz
Output voltage (V)	Equal to input voltage with the deviation of less than 5%
Output frequency (Hz)	50Hz/60Hz, Fluctuation range: $\pm 5\%$
Control mode	V/f
Maximum output frequency	400Hz
Adjustable-speed ratio	1:100
Overload capability	150% of rated current: 1 minute, 180% of rated current: 10 seconds, 200% of rated current: 1 second
Terminal analog input resolution	$\leq 20\text{mV}$
Terminal switch input resolution	$\leq 2\text{ms}$
Analog input/output	1 input 0~10V/0~20mA; 1 output 0~10V/0~20mA
Digital input/output	5 common input, 1 Y output (commonly used with digital output) and 1 rogrammable relay output
Communication	485 communication
Mountable method	Wall mountable
Temperature of the running environment	-10~50°C, derate above 40°C
Cooling	Single/three-phase 220V 0.2-0.75kW natural cooling
	Single/three-phase 220V 1.5-2.2kW, three-phase 380V 0.75-2.2kW
Fault protections	Overcurrent, overvoltage, undervoltage, overtemperature, overload and other protections
Braking unit	Only standard for GD10-B

Applications:

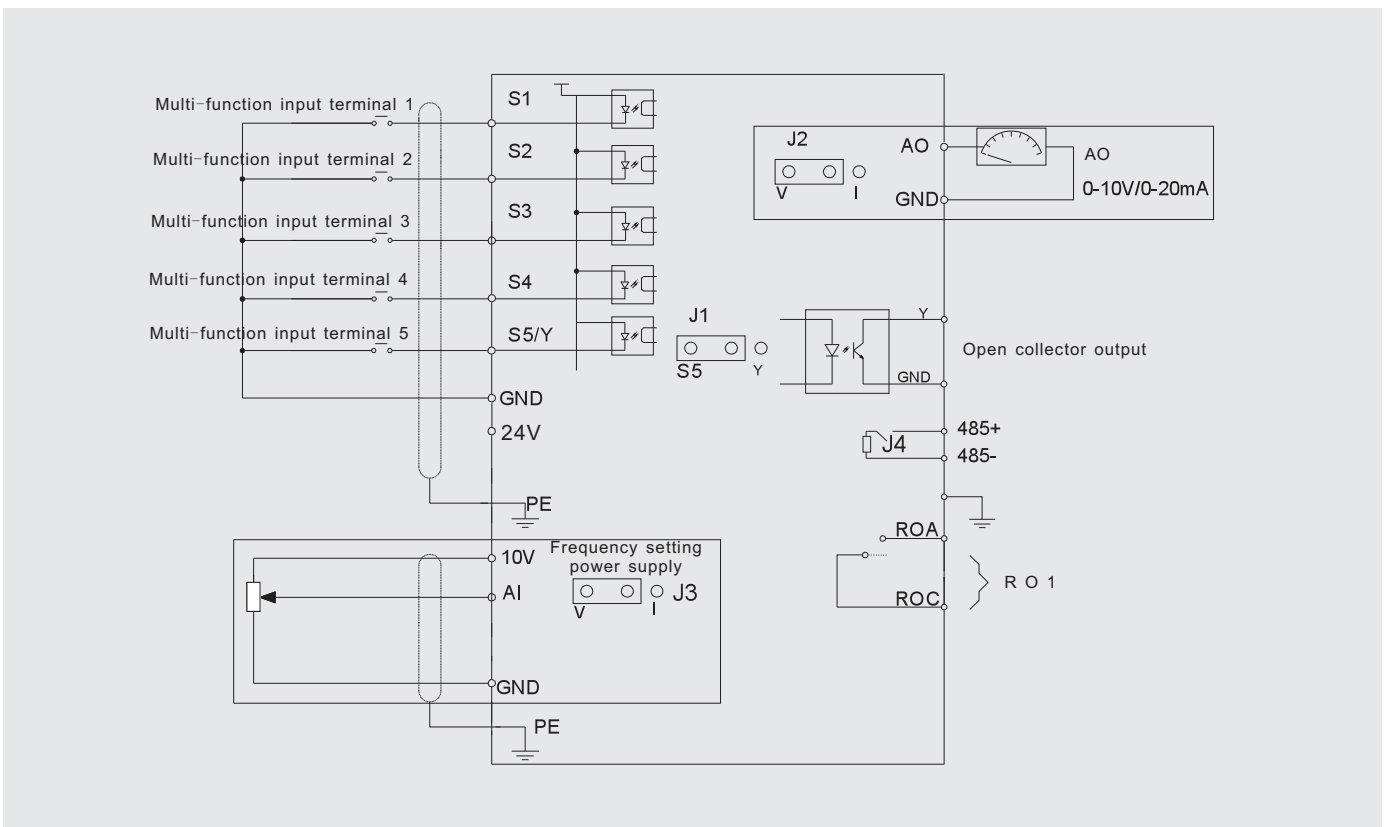
Packaging machinery, food machinery, textile machinery, centrifuge, engraving machine, and cutting machine, etc.

Standard wiring

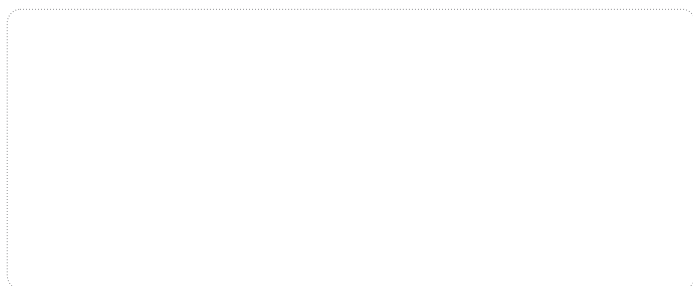
Wiring diagram of main circuit



Wiring diagram of control circuit



Innovation, Value, Teamwork



Service line:86-755-86312859 E-mail:overseas@invt.com.cn

SHENZHEN INVT ELECTRIC CO., LTD.

No. 4 Building, Gaofa Scientific Industrial Park, Longjing, Nanshan District, Shenzhen, China

- | | | | | |
|---------------------|--------------------------|---------------------------------------|------------------|-----------------------------------|
| Electric Drive: | ■ Frequency Inverter | ■ Intelligent Elevator Control System | ■ Traction Drive | |
| Industrial control: | ■ Servo & Motion Control | ■ Motor & Electric Spindle | ■ PLC | ■ HMI |
| New energy: | ■ SVG | ■ Solar Inverter | ■ UPS | ■ Online Energy Management System |

INVT Copyright.
Information may be subject to change without notice during product improving.

201212 (V1.1)